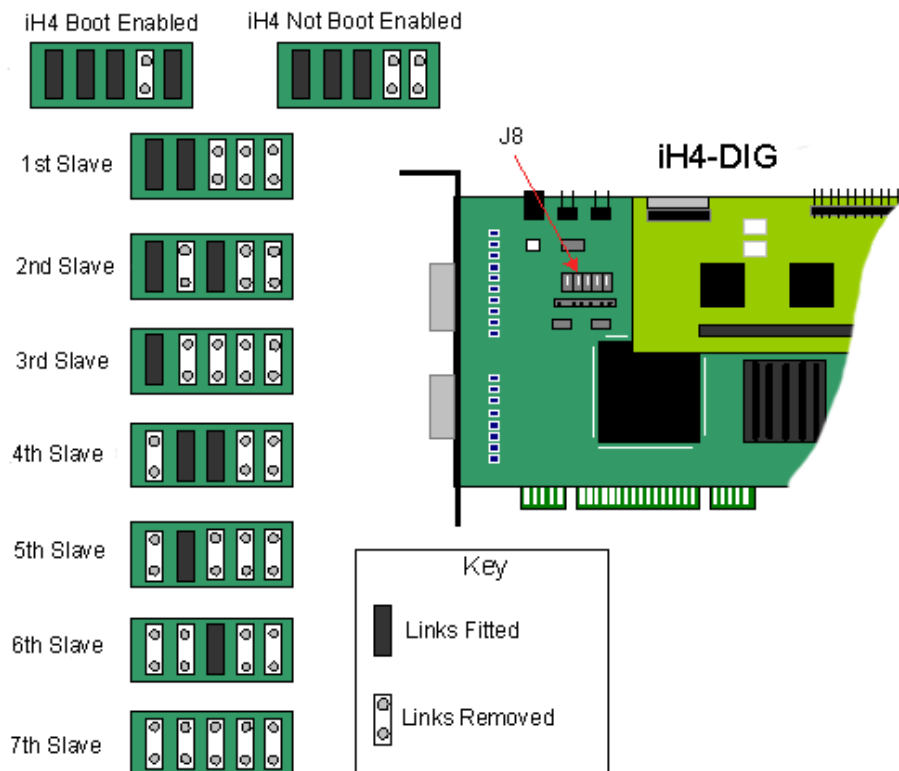


How to Set up 10 iH4 Cards

Use the instructions below to run a system using 10 iH4 cards.

- The Jumper Links located on the iH4 cards (J8) are all fitted as default. By using the Jumper Links, you can predictably configure up to eight cards in one machine.
- When the Jumper Links are used, the position of the iH4 cards devices on the desktop are controlled by the link settings rather than the iH4 cards position in the PCI bus hierarchy.
- When installing multiple iH4 cards, the Jumper Links should be set as shown in the following illustration:

iH4 Jumper Link Settings



- Setting the Jumper Links as above also halves the iH4 cards use of PCI resources. This allows either more screens or more system memory to be fitted in a PC when compared to iH4 cards with default link settings.
- The Jumper Links on card 9 should be set identical to the 1st slave card.
- Insert the 9th card into a PCI slot next to the 1st slave card.
- The Jumper Links on card 10 should be set identical to the 2nd iH4 slave card.
- Insert the 10th card into a PCI slot next to the 2nd slave card.
- Edit the OEMSETUP.INF file – The value of MAXSCREENS (located at the bottom of the file) must be set to the number of screens in the display.



- Edit the install.ini file –The value of MaximumScreens (located at the bottom of the file) must be set to the number of screens in the display.
- Install the driver using the INSTALL.EXE
- Reboot the system

The iH4 card outputs will appear on the desktop in sequence as expected except :

- The 9th card's output will appear just before or just after the 1st slave card's outputs.
- The 10th card's outputs will appear just before or just after the 2nd slave card's outputs.