

IPC-X16 – PCI Expansion Chassis

The IPC-X16 expands the number of available PCI slots from a PC motherboard and is supplied with a host PCI express adapter card and 0.75M cable which is used to attach the Express 16 back plane to the PC motherboard. The Express 16 also contains a switched fabric which effectively provides each of the 16 PCI slots its own dedicated PCI bus. This allows concurrent bus transactions to take place from slot to slot or slot to host without overhead.

- Expands the number of PCI slots available from a PC motherboard.
- Provides 8 x 64bit x 66Mhz PCI-X slots and 8 x 32bit x 66Mhz PCI slots.
- All 16 expansion slots are connected to an on board switched fabric providing a total of 20Gb/s bandwidth.
- Up to 8 concurrent bus transactions.
- Includes a PCI express host expansion card (x8 lanes) and 0.75M interface cable providing a 20Gb/s host interface.



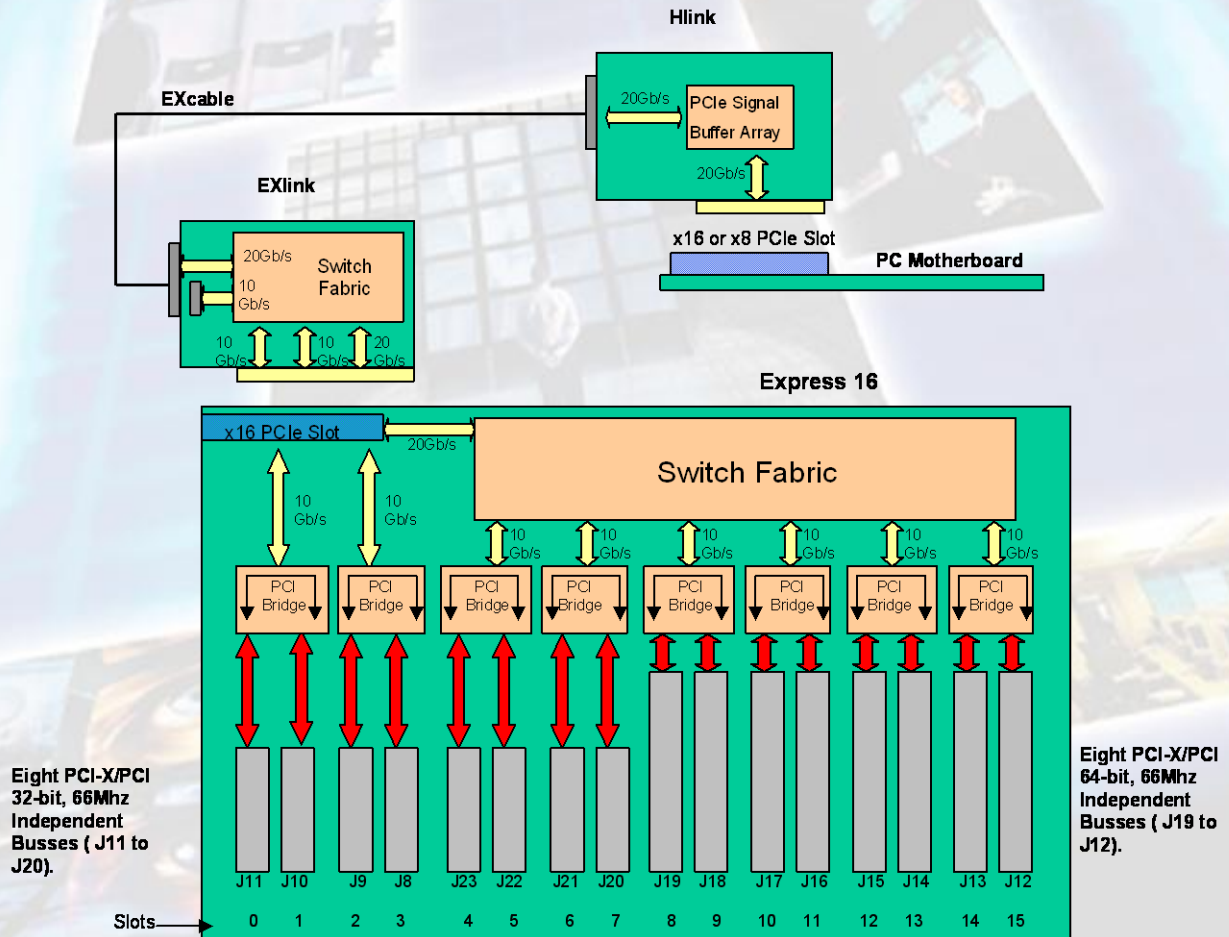
Recommended Motherboard/PC

Supermicro X7DVA-8 or the Datapath IPC1-PRO

Part Numbers:

- IPC-X16 - Chassis and redundant PSU
- Express 16 - PCI back plane
- Exlink - Back plane receiver card
- Hlink - Host link PCI express adapter
- Excable - 0.75M expansion cable

Express 16 Back Plane



Specification:

- 19" 6U industrial chassis with 1350watt redundant PSU.
- 8 x PCI-X 66Mhz 64bit slots.
- 8 x PCI 66Mhz 32bit slots.
- Dimensions (approx) Length 540mm, Height 265mm, Width 482mm.
- 3 x High flow rate cooling fans.
- 4 x Overhead extraction fans.
- 1350 watt Redundant PSU.
- Operating temperature 0 to 35 deg C.
- Storage temperature -20 to 70 deg C.

Datapath Industrial PC's

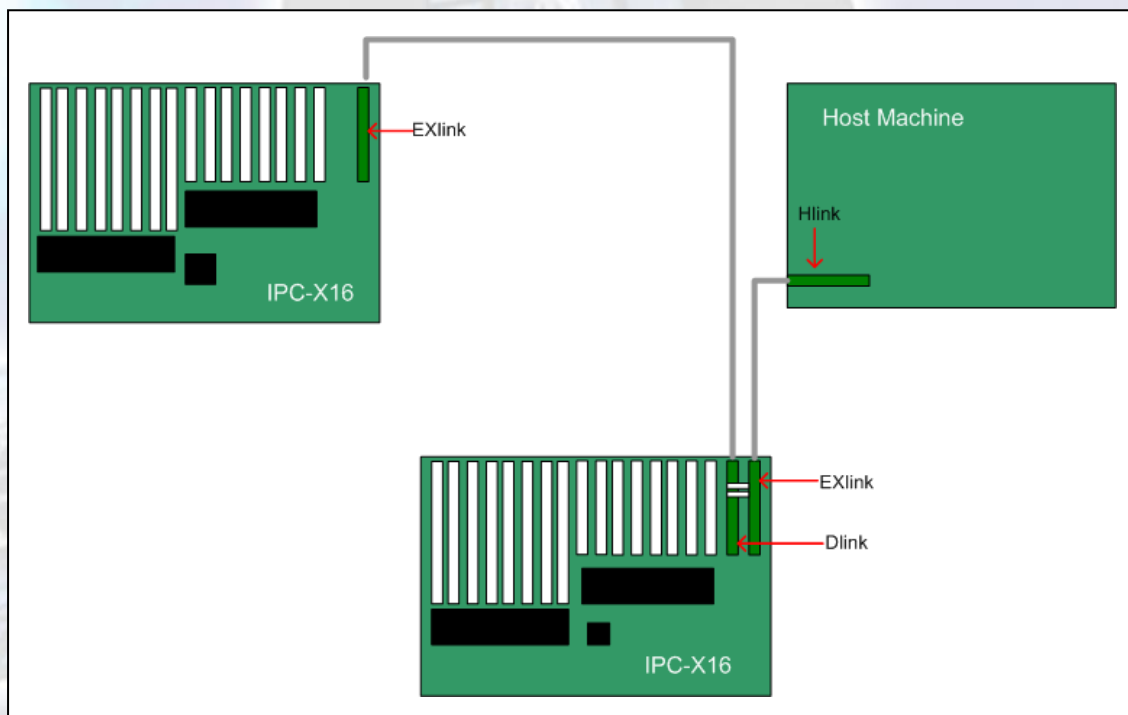
Video Wall and Data Wall Controllers

Accessories:

Datapath Dlink

The Datapath Dlink is a small PCB that is used to connect one IPC-X16 expansion chassis to another enabling multiple IPC-X16 chassis to be connected to a single host machine

Supplied with 2 x Ribbon Cables for connecting to the Exlink card.



For details on how to purchase the IPC-X16 expansion chassis contact our sales department:
sales@datapath.co.uk

Datapath Limited Main Sales Office

Alfeton Road, Derby, DE21 4AD, England
Tel: +44 (0) 1332 294441
Fax: +44 (0) 1332 290667
Email: sales@datapath.co.uk
Web: www.datapath.co.uk

Datapath France

7 Rue des Pinsons, 78990 Elancourt,
France
Tel: (+33) 130138934
Fax: (+33) 130138935
Email: datapathfrance@sqynet.com