

Advanced Graphics Display Technology

## Datapath Panel-16 and Panel-16A

A 1U x 19 inch add on product for use with VisionSwitch and Mosaic cards. The panel is designed to improve video input and video output socket identification and produce neater, more reliable wiring.



### Panel-16

Panel-16 is a 1U x 19 inch panel that has 16 BNC sockets/adapters which are compatible with the 16 way BNC splitter cables (BNC16-cable) supplied with the Datapath VisionSwitch and Mosaic PCI cards.

The Panel-16 allows you to individually wire any of the BNC plugs from the BNC16-cable to the sockets on the rear of the Panel-16.

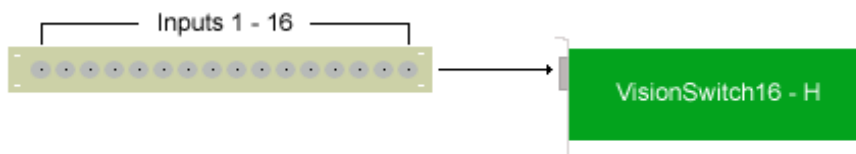
### Panel-16A

The Panel-16A is a 1U x 19 inch panel containing 16 BNC sockets and a Printed Circuit Board (PCB) with a 26 way D socket. A special cable is provided which connects the Panel-16A directly to the VisionSwitch or Mosaic card without the need for the BNC16-cable as used with the Panel-16.

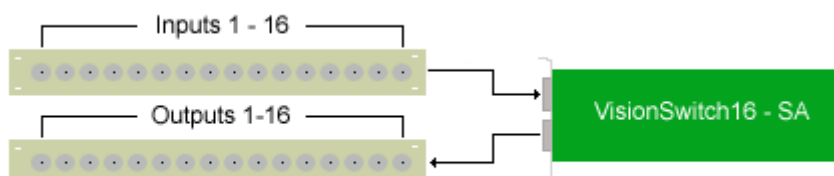


The following illustrations show the possible configurations with VisionSwitch and Mosaic:

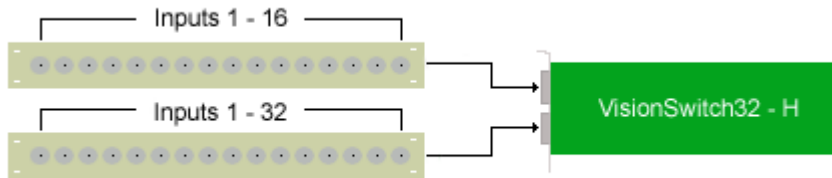
### Panel-16A with VisionSwitch16-H



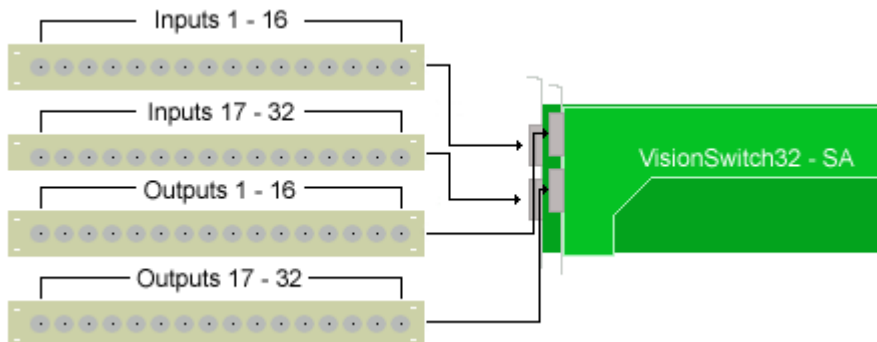
### Panel-16A with VisionSwitch16-SA



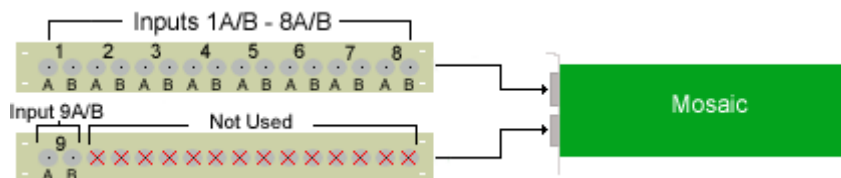
### Panel-16A with VisionSwitch32-H



### Panel-16A with VisionSwitch32-SA



### Panel-16A with Mosaic



Each Input for the Mosaic users two BNC connectors - A&B.  
 A = Composite A or Luma for S-Video.  
 B = Composite B or Chroma for S-Video

For more information on the range of Datapath products contact our sales team at [sales@datapath.co.uk](mailto:sales@datapath.co.uk)

#### Datapath Limited

Alfreton Road, Derby, DE21 4AD,  
 England  
 Tel: +44 (0) 1332 294441 - Fax: +44  
 (0) 1332 290667  
 Email: [sales@datapath.co.uk](mailto:sales@datapath.co.uk)  
 Web: <http://www.datapath.co.uk>

#### Datapath Germany

Friedrich-Ebert Straße 21  
 D-64846 Groß-Zimmern,  
 Germany  
 Tel: (+49) 06071 96300  
 Fax: (+49) 06071 963020  
 Web: <http://www.datapath.de>

#### Datapath France

7 Rue des Pinsons, 78990 Elancourt, France  
 Tel: (+33) 130138934 - Fax: (+33) 130138935